

# BARRIER MOWER

## RI 62 & 82



**PARTS**

**EN**

1<sup>st</sup> Edition 2023

 **GREENTEC**

Cutting Edge Technology







**IMPORTANT INFORMATION****GreenTec****RI 82****PARTS****1. Edition – 2023**

**NOTICE:** Please ensure that this manual is handed to the operator before using the machine for the first time. If the machine is resold, the Parts list must be given to the new owner!

The information contained in this Parts list is correct at the time of publication. However, in the course of constant development, changes in specification are inevitable. Should you find the information given in this book different to the machine it relates to please contact the “After Sales Department” for advice.



Merkurvej 25  
DK 6000 Kolding  
Denmark  
Tel: +45 75553644  
E-mail: [info@greentec.eu](mailto:info@greentec.eu)  
web: [www.greentec.eu](http://www.greentec.eu)

---

## CONTENTS

### Indhold

<b>Introduction</b> .....	<b>4</b>
<b>Useful information</b> .....	<b>5</b>
<b>Ordering parts</b> .....	<b>6</b>
<b>Spare Parts</b> .....	<b>7</b>
RI 82 Complete .....	7
RI 82 Motor 25/40L (ADGT1340/1340.1) .....	9
RI 82 Cover cpl. (ADGT1341) .....	10
RI 82 Bearing house (ADGT1342) .....	11
RI 82 Rotor cpl. (ADGT1343) .....	12
RI 82 Rotor with flex (ADGT1344) .....	13
<b>Stickers</b> .....	<b>14</b>



## Introduction

Dear customer!

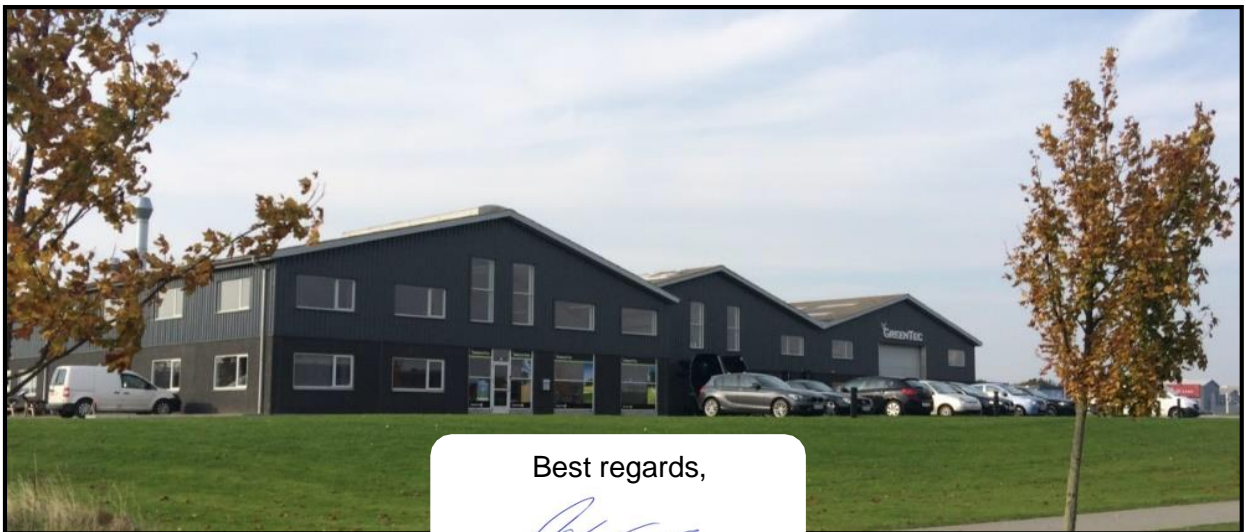
Your new GreenTec machine is constructed with background in more than 20 years' experience with tractor-mounted machines to maintenance of green areas. This machine is produced by the latest technology and recognized safety regulations, standards and regulations.

We want to make a product available in such a way, that neither the use of the machine during transportation or maintenance of the machine causes any damage or misunderstandings.

This parts list contains information that are important and useful for maintaining your GreenTec machine's reliability, dependability and value.

You are welcome to visit our website [www.greentec.eu](http://www.greentec.eu) - where the login via the dealer's access gives you the latest updates on instructional and part books on our entire product range.

We hope you will be pleased with your new GreenTec machine.



Best regards,

A handwritten signature in blue ink, appearing to read "John Christensen".

John Christensen  
Sales Director GreenTec A/S

**GreenTec's** vision is to develop and sell quality machines for the maintenance of green areas, including in agriculture, in industry, at airports and in the local sector. Through innovative product development, we will strive to become a leader in our field.

All machines are developed in a simple and functional design in close cooperation with dealers and end users. It is our goal to cover every need in the market segment with preferably two different solutions. In-depth analysis of requirements and serious advice to the customer is offered the best solution, where individual needs can be met through the modularity of the product program.

Our goal is also to offer the best possible after sales service, and a quick and efficient spare parts supply.

## Useful information

Before using the machine for the first time, it's the seller's responsibility that the buyer is given this parts list. If the machine is resold, the parts list must be transferred to the new owner.

Please fill out the list below to ensure that the necessary information is at hand when ordering spare parts etc.

**Serial No**

**Delivery date**

**Dealer**

**Tel. / E-mail**



Merkurvej 25  
DK 6000 Kolding  
Denmark  
Tel: +45 75553644  
E-mail: [info@greentec.eu](mailto:info@greentec.eu)  
web: [www.greentec.eu](http://www.greentec.eu)  
Opening hours: Mon-Fri 8-16

## Ordering parts

When ordering parts please refer to your parts list to help your dealer with your order.

- **Part number and quantity**
- **Description**
- **Machine model number**
- **Serial number of the machine**
- **Delivery instructions (e.g. next day).**

Delivery is normally via carrier direct to your dealer. Please check with your dealer for stock availability and arrangement of dispatch. Ensure you or your dealer has sufficient cover for parts requirement outside factory hours.

### **Important Note:**

The information contained in this manual is correct at the time of publication. However, in the course of constant development, changes in specification are inevitable. Should you find the information given in this book different to the machine it relates to, please contact the "After Sales Department" for advice.

### **Key:**

**LH:** Left hand  
**RH:** Right hand



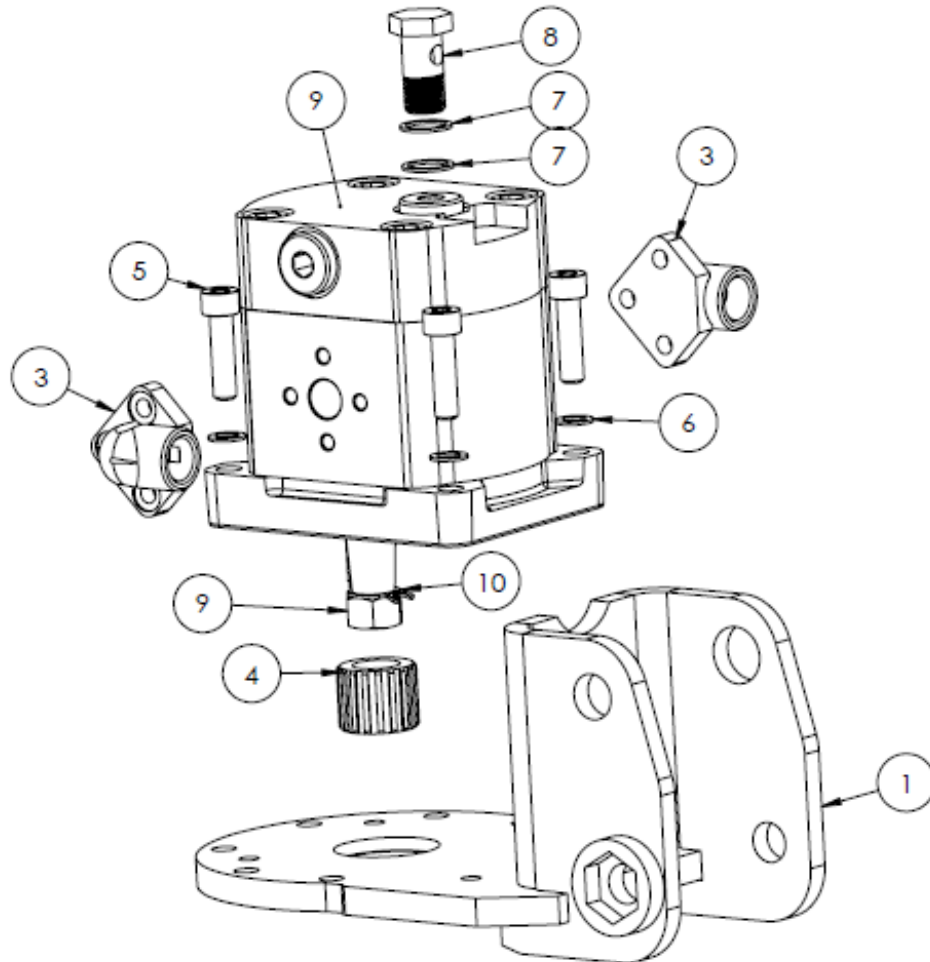


---

RI 82 complete

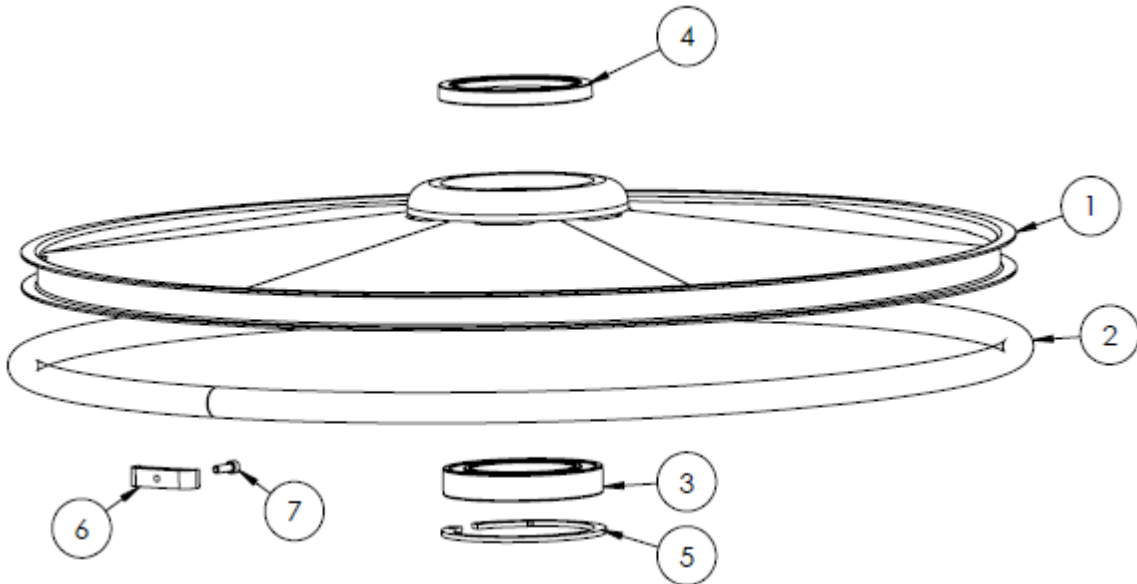
ITEM NO.	PART NUMBER	DESCRIPTION	QTY.
1		Motor 25 L	1
1a		Motor 40 L	1
2		Cover cpl.	1
3		Bearing house cpl.	1
4	ADGT1343	Rotor cpl.	1
5	ADGT1344	Rotor flex cpl.	1
6	6702346	Pulley	2
7	6702367	Arm parallel	1
8	6702344	Stop washer	1
9	6702119	Bolt	1
10	9040170	Bolt	2
11	8222004	Bolt	2
12	6702001	Bolt	8
13	9040172	Nut	2
14	2770536	Nut	2
15	9021082	Washer	2

### RI 82 Motor 25/40L (ADGT1340/1340.1)



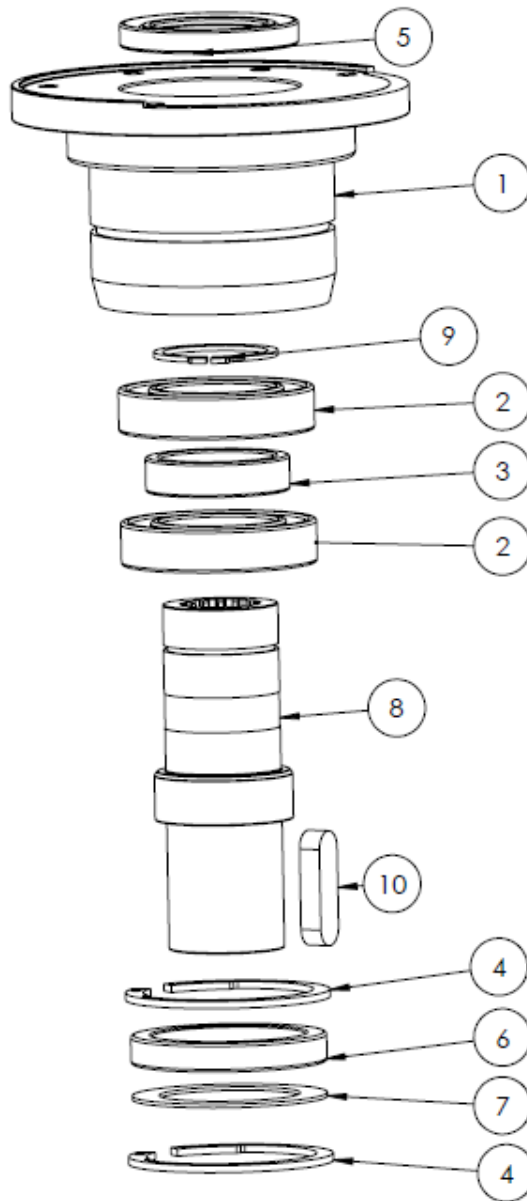
ITEM NO.	PART NUMBER	DESCRIPTION	QTY.
1	6702342	Motor bracket	1
2	200130.4	Motor 11cc 25L HPBondioli/Blueascend	1
2a	200130.0	Motor 17cc 40L HPBondioli/Blueascend	1
3	8143002	Portflange 11cc 25L	2
3a	200132.0	Portflange 17cc 40L	2
4	200133.0	Spline bushing	1
5	6702853	Bolt	4
6	8222038	Washer	4
7	8173003	Seals	2
8	8173002	Banjobolt	1
9	1021512	Nut	1
10	0002900	Washer	1
NS	200160.0	Seal kit f/ HP Bondioli	1
NS	6702744	Seal kit f/ Blueascend	1

**RI 82 Cover cpl. (ADGT1341)**



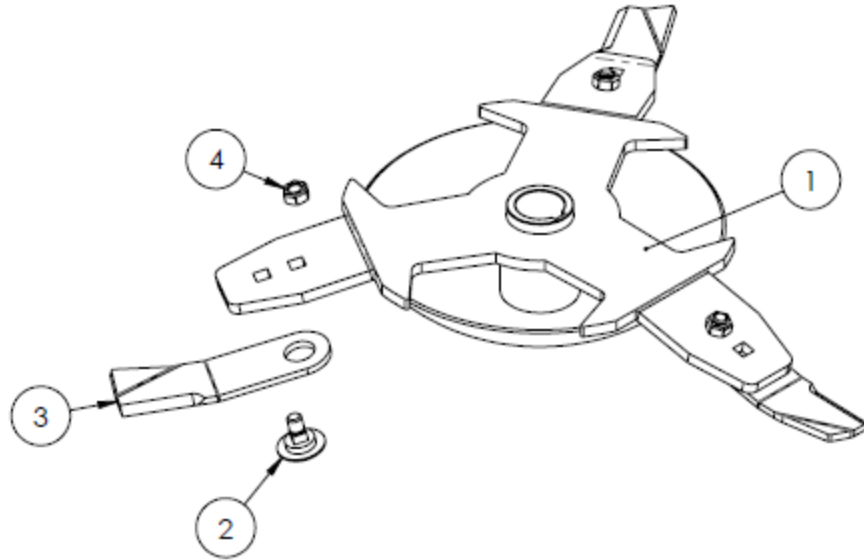
ITEM NO.	PART NUMBER	DESCRIPTION	QTY.
1	6702359	Disk Ø80	1
2	6702347	Hose	1
3	6702358	Bearing	1
4	6702360	Oil seal	1
5	6702361	Lockring	1
6	6702379	Lock plate	1
7	6701917	Bolt	1

### RI 82 Bearing house (ADGT1342)



ITEM NO.	PART NUMBER	DESCRIPTION	QTY.
1	6702350	Bearing house	1
2	8224002	Bearing	2
3	6702352	Distance ring	1
4	6702353	Lock ring	2
5	6702354	Sealing ring	1
6	6702355	Oil seal	1
7	6702356	Sealing ring	1
8	6702357	Pulley	1
9	9040229	Lock ring	1
10	8634005	Key	1

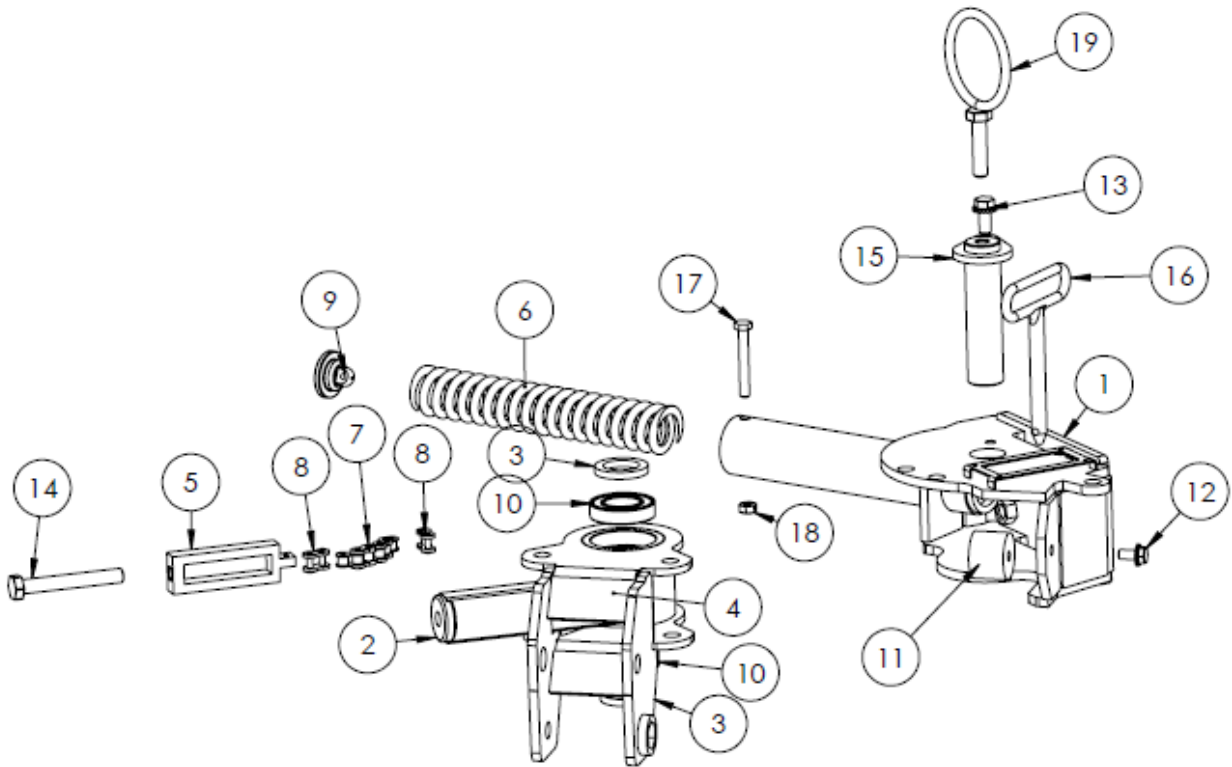
**RI 82 Rotor cpl. (ADGT1343)**



ITEM NO.	PART NUMBER	DESCRIPTION	QTY.
1	6702343	Starrotor	1
2	6702345	Bladebolt	3
3	6702372R/L	Blade	3
4	8482008	Bladenut	3

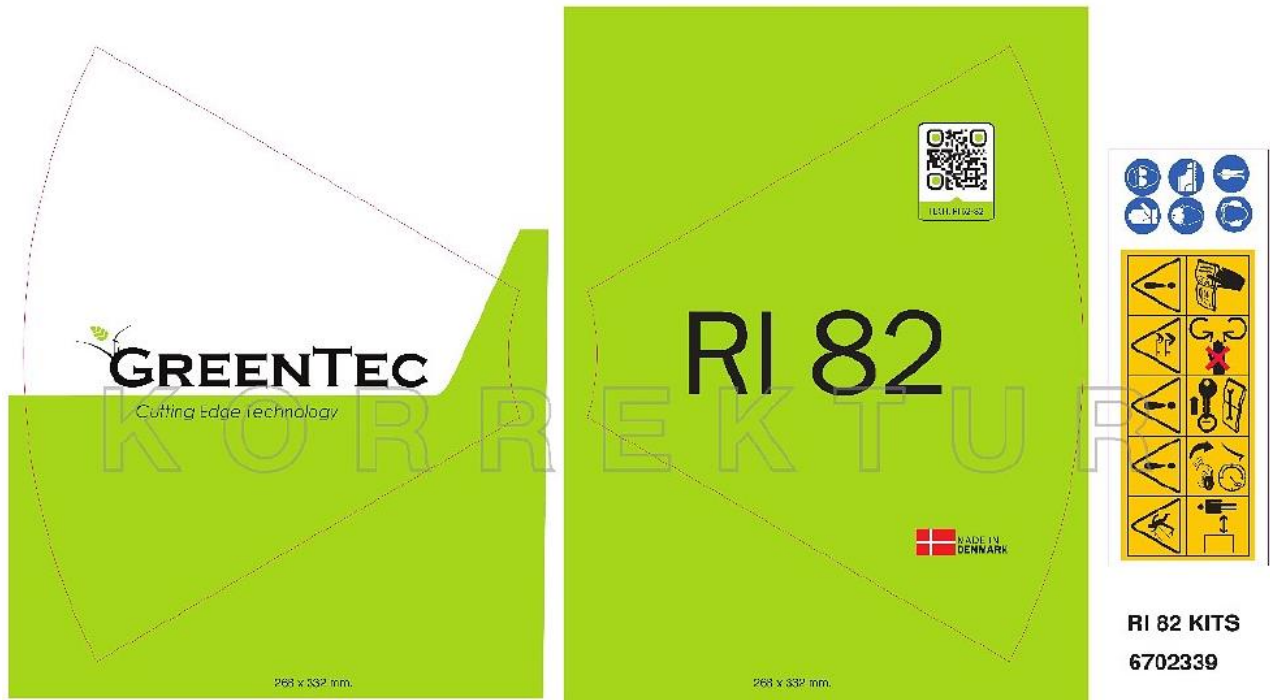


## RI 82 Rotor with flex (ADGT1344)



ITEM NO.	PART NUMBER	DESCRIPTION	QTY.
1	6702369	Head bracket	1
2	6702348	Fix plate	1
3	6702349	Distance washer	2
4	6702368	Parallel guide	1
5	6702370	Stammeklods	1
6	6702375	Spring	1
7	6702376	Carrier	1
8	6702365	Assembly joint	2
9	6702378	Carrier holder	1
10	160120.0	Bearing	2
11	6702600	Rubber stop	1
12	6702594	Bolt	1
13	6702399	Bolt	1
14	8222004	Bolt	1
15	6702366	Pear pin	1
16	9040072	Pin	1
17	2770430	Bolt	1
18	6701629	Nut	1
19	6702373	Hoseholder	1

## Stickers



ITEM NO.	PART NUMBER	DESCRIPTION	QTY.
1	6702339	Stickers kits cpl	1



Merkurvej 25 | DK-6000 Kolding | Tel.: +45 75 55 36 44 | [info@GreenTec.eu](mailto:info@GreenTec.eu) | [www.GreenTec.eu](http://www.GreenTec.eu)

*Cutting Edge Technology*